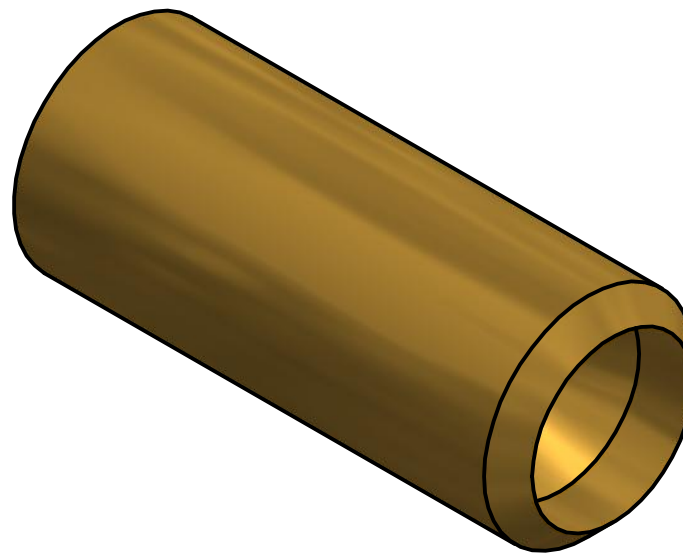
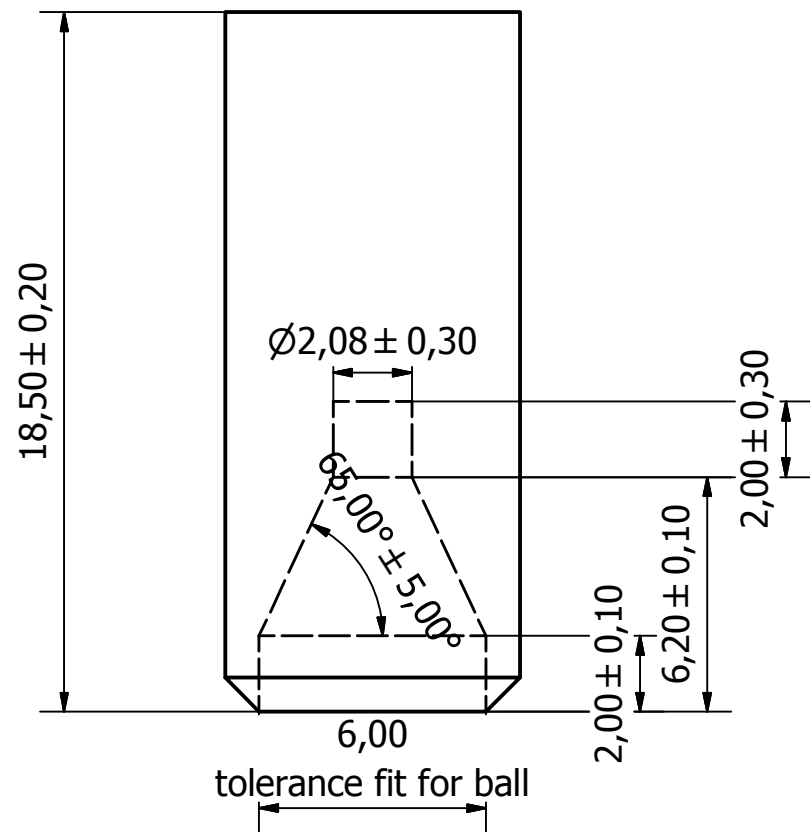


6 mm balls  
will be  
supplied



UNLESS OTHERWISE  
STATED:  
1. ALL DIMENSIONS IN  
MILLIMETRES  
2. TOLERANCES: 0.2 mm  
3. SURFACE FINISH: GROUND  
  
REMOVE ALL SHARP EDGES

Designed by Terry Harvey	Drawn by Terry Harvey	Material Brass	Date 05/08/2014
 National Centre for Advanced Tribology at Southampton		Title 6 mm ball holder for TE77	
		Project Consumables for TE77	Sheet 1 / 1